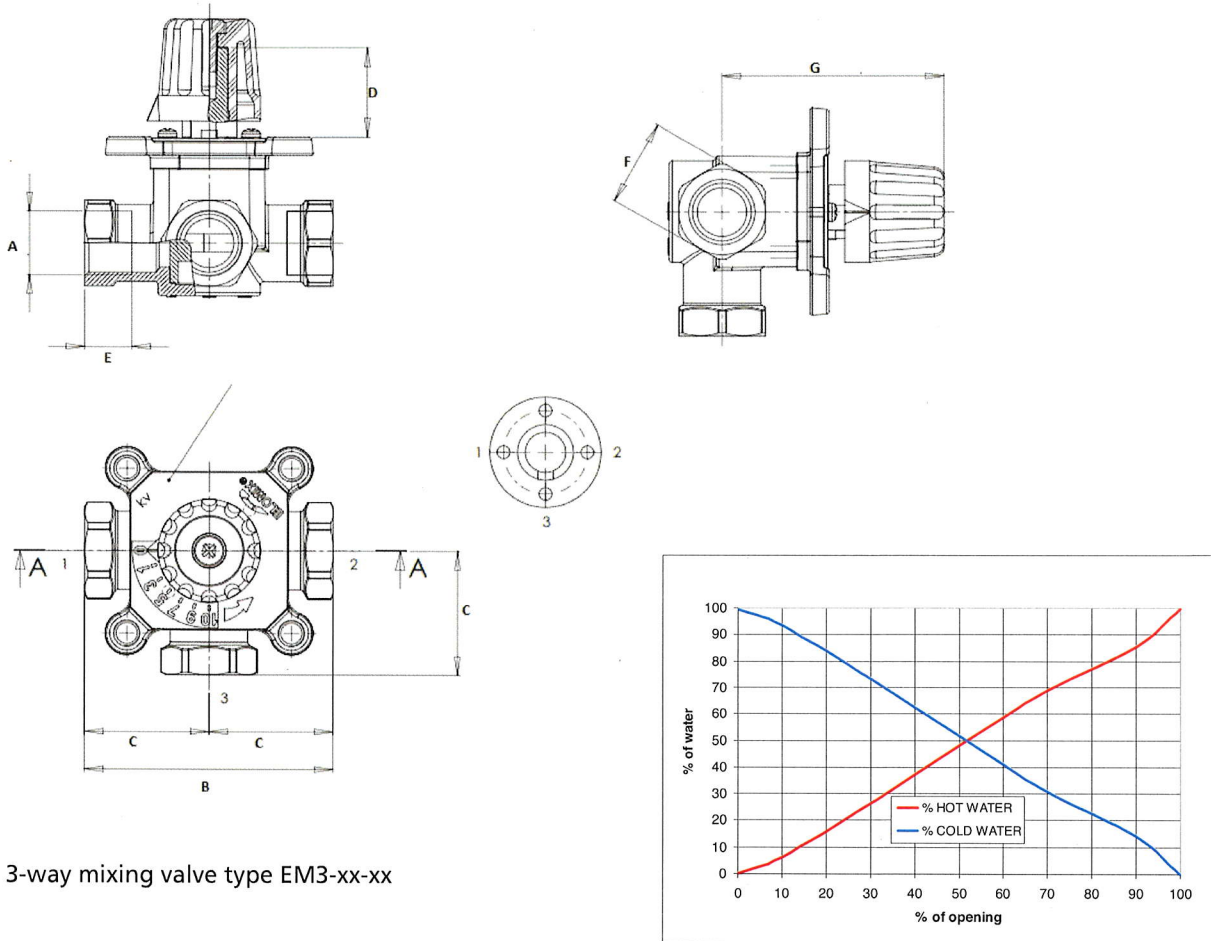


Table / 3-way mixing valve type dimensions



3-way mixing valve type	Cv [m ³ /h]	A	B [mm]	C [mm]	D [mm]	E [mm]	F [mm]	G [mm]
EM3-15-2.5	2,5	RP 1/2"	80	40	28	15	28	71,5
EM3-20-4	4	RP 3/4"	80	40	28	15	34	71,5
EM3-20-6	6	RP 3/4"	80	40	28	15	34	71,5
EM3-25-8	8	RP 1"	82	41	28	19	43	71,5
EM3-25-12	12	RP 1"	82	41	28	19	43	71,5
EM3-32-15	15	RP 1 1/4"	85	42,5	28	17	50	74
EM3-32-18	18	RP 1 1/4"	85	42,5	28	17	50	74
EM3-40-26	26	RP 1 1/2"	116	58	28	21,5	61	78,5
EM3-50-40	40	RP 2"	125	62,5	28	25	70	79,5

Other versions available on request!