

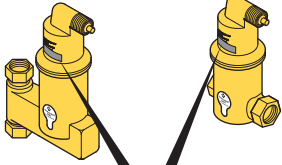

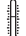


Mounting and operating instruction

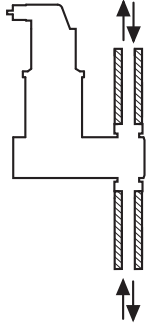
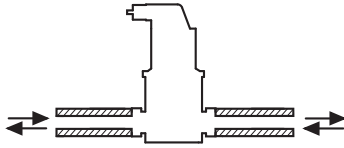
For article no's starting with AA, except for AAS


17.657-02


 0- ... bar
 0- ... °C

Acc.PED (97/23/EC) §3.3







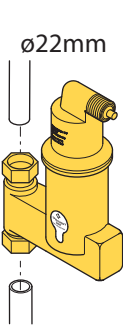


H₂O

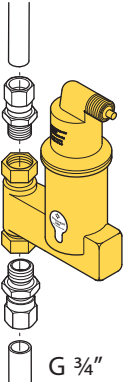


< 50% glycol






 0 bar

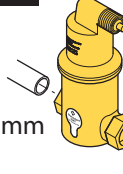


ø22mm

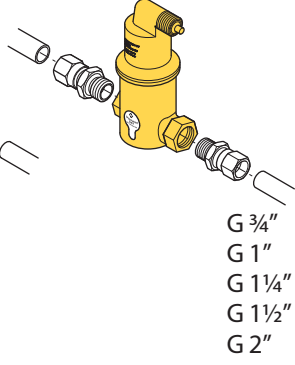


G 3/4"
G 1"




 0 bar




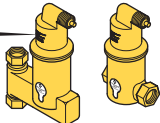
ø22mm

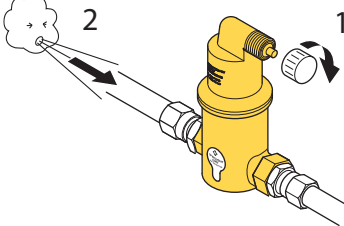
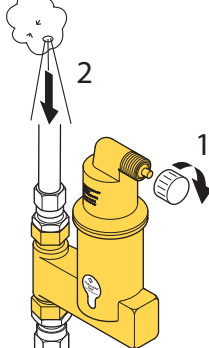


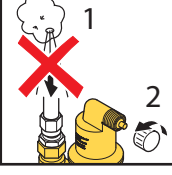
G 3/4"
G 1"
G 1 1/4"
G 1 1/2"
G 2"



 Pmax = 1,5 x ... bar





1
2